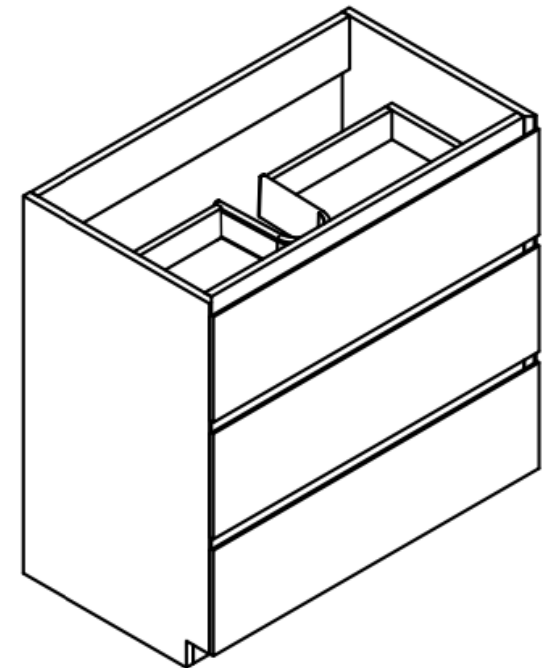
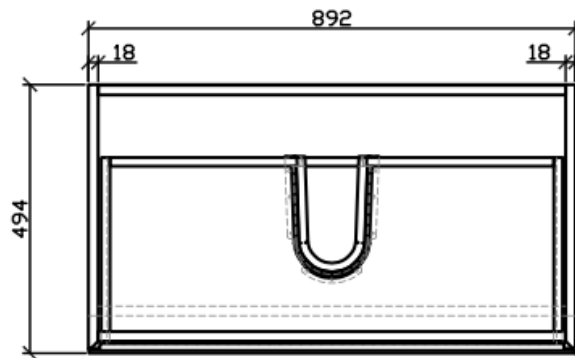
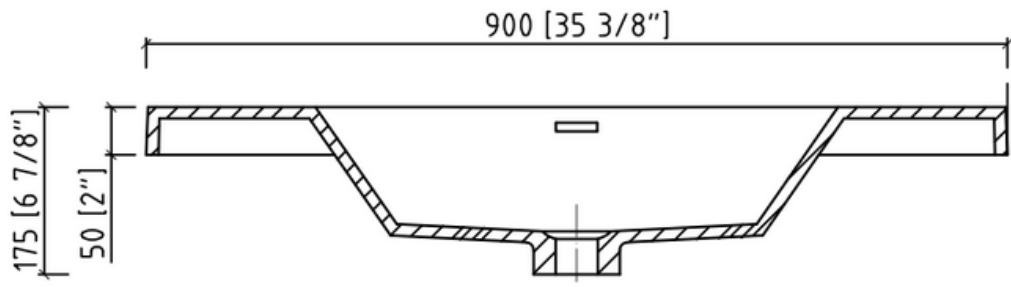
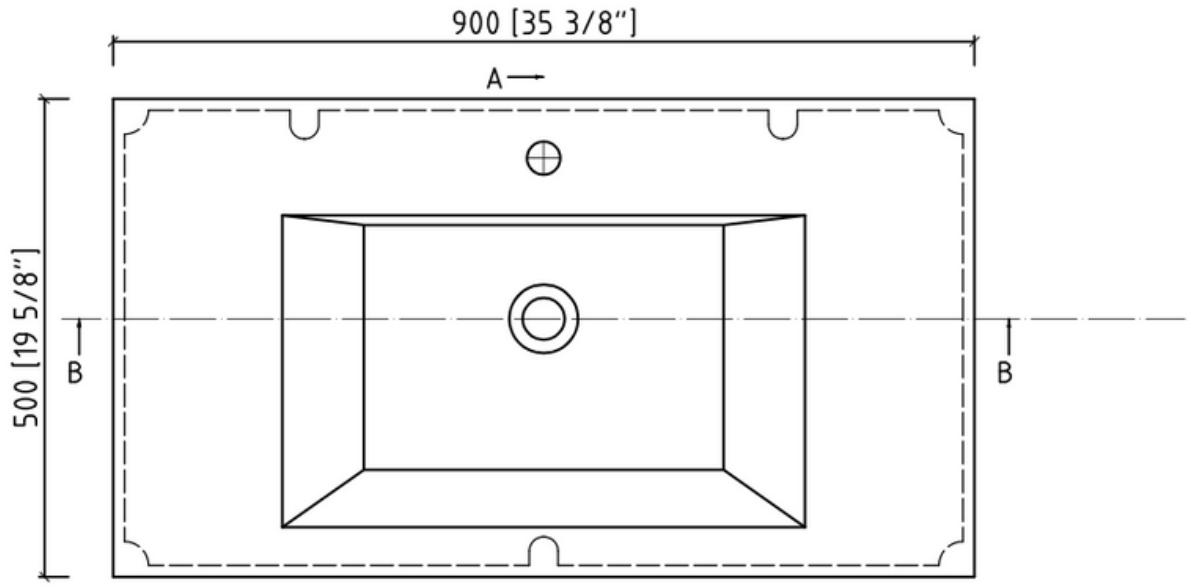


**ALYA**  
Bath

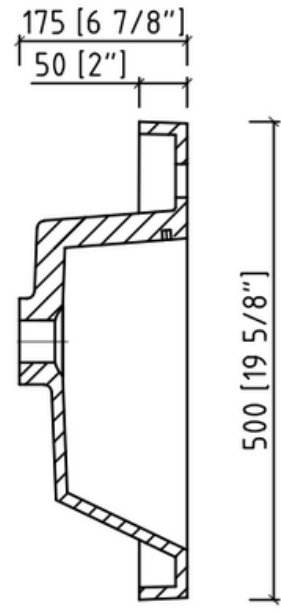




SECTION B-B



A—



SECTION A-A

